



Veterinary instruments

Advanced Lighting and Optics

These first-class **Riester** instruments for veterinary medicine guarantee outstanding quality and the highest ease of use in handling. The ideal instrument is available for every type of examination. The Riester product range is diversified and offers many options for use in veterinary practice or in veterinary clinics.



CONTENT

Introduction Veterinary Instruments	3
Instrument for ENT	4
Otoscopies	4
ri-scope® Operation otoscope (veterinary) Reusable specula	
ri-scope® Operation otoscope Accessories Specula	
Tongue blade holder	6
ri-scope® F.O. tongue blade holder Wooden tongue depressor	
Nasal speculum	6
ri-scope® F.O. nasal speculum Swivel lens	
Ophthalmological instruments	7
Ophthalmoscopes	7
ri-scope® ophthalmoscope	
Lamps	8
HL 2.5 V halogen lamps	
XL 3.5 V xenon lamps	
Power sources	9
Handles	
Charging bases	
Sets	11

Veterinary Instruments

Perfect instruments for modern veterinary medicine

These first-class Riester instruments for veterinary medicine guarantee outstanding quality and the highest ease of use in handling. The ideal instrument is available for every type of examination. The Riester product range is diversified and offers many options for use in veterinary practice or in veterinary clinics. Functionality and quality are our top priority.

Also order other product brochures from our full product range, which are suitable for veterinary use.

Many products from the extensive Riester product range are optimally suited for use in modern veterinary medicine.

- › Stethoscopes
- › Head mirrors, headlights, examination lamps
- › Laryngoscopes
- › uni®/econom®
- › **ri-clip**
- › schiötz Tonometer
- › Percussion hammers



Instruments for ENT

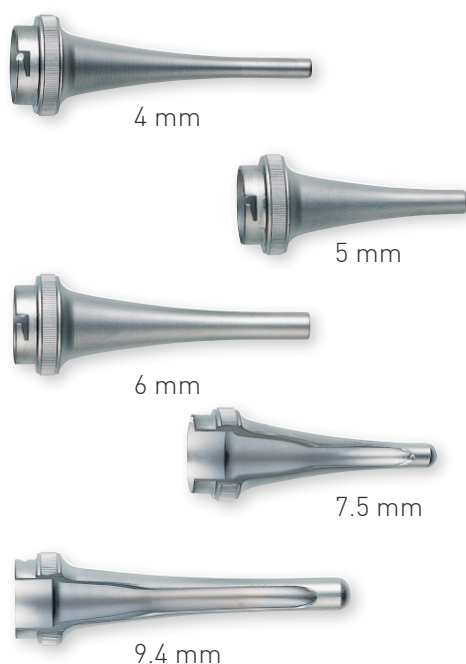
Otoscopes

ri-scope® Operation otoscope

Operation otoscope (veterinary)

- > Choice of XL 3.5 V xenon lamp or HL 2.5 V halogen lamp.
- > Swivel lens with 2.5x magnification
- > Moveable speculum holder that can be fixed in any position
- > Open design for unhindered use during examination and operation.
- > Bayonet fitting for fast and secure attachment to the handle.
- > All-metal operation otoscope for long service life.
- > Fast exchange of lamp at the front of the otoscope.

No. 10541	Veterinary head HL 2.5 V
No. 10542	Veterinary head XL 3.5 V
No. 10541-301	Veterinary head HL 2.5 V with anti-theft security
No. 10542-301	Veterinary head XL 3.5 V with anti-theft security



Reusable specula

Reusable metal specula for veterinary use

- > High quality model made of chrome-plated, corrosion-free metal
- > Disinfection and sterilisation can be carried out in the normal way
- > Matte inner surfaces reduce the risk of reflections during examinations
- > Slotted models: Optimum instrument guide provided by special edges on opening

No. 10880	Metal specula Ø 5 mm, 53 mm long
No. 10881	Metal specula Ø 4 mm, 83 mm long
No. 10882	Metal specula Ø 6 mm, 83 mm long
No. 10883	Metal specula, slotted Ø 7.5 mm, 68 mm long
No. 10884	Metal specula, slotted Ø 9.4 mm, 92 mm long

Otosopes

ri-scope® Operation otoscope

Operation otoscope

- > Choice of XL 3.5 V xenon lamp or HL 2.5 V halogen lamp.
- > Swivel lens with 2.5-fold magnification.
- > Movable speculum holder can be fixed in any position.
- > Open design for unhindered use during examination and operation.
- > Bayonet fitting for fast and secure attachment to the handle.
- > OP otoscope made of metal and speculum holder made of impact resistant plastic for long service life.
- > Fast exchange of lamp at the front of the otoscope.



No. 10560	Operation Otoscope head, HL 2.5 V
No. 10561	Operation Otoscope head, XL 2.5 V
No. 10561-301	Operation Otoscope head, XL 2.5 V with anti-theft security

Reusable specula

ri-scope® O.P. otoscope for small animals

- > Sturdy and durable plastic specula with metal attachment for repeat use.
- > Sterilisation at 134° C for 10 minutes in steam sterilizer possible.
- > Various sizes available: 2 mm, 3 mm, 4 mm, 5 mm and 9 mm.
- > The 9 mm speculum is suitable as a nasal speculum.
- > Easy insertion into ear and nose, speculum shape adjusts optimally.
- > Particulars of respective size on each speculum.
- > Supplied in a poly-bag.



No. 10460	Ear specula Ø 2 mm
No. 10461	Ear specula Ø 3 mm
No. 10462	Ear specula Ø 4 mm
No. 10463	Ear specula Ø 5 mm
No. 10464	Nasal specula Ø 9 mm

Tongue blade holder

ri-scope® F.O. tongue blade holder

- > Choice of XL 2.5 V, XL 3.5 V xenon lamps or 3.5 V LED
- > High-quality fiberoptic lightwave conductor for optimal beaming and transmission of the light. In combination with the lamp this provides cool examination light similar to daylight.
- > Slide attachment for fixing and detaching wooden tongue depressors for a firm hold.
- > Bayonet fitting for fast and secure attachment to the handle.
- > Sturdy, very light casing made of ABS plastic for a long service life.
- > Simple exchange of the lamp at the base of the instrument head.



No. 10534	XL 2.5 V	No. 10535	XL 3.5 V
No. 10537	LED 3.5 V		
No. 10535-301	XL 3.5 V with anti-theft security	No. 10574-301	LED 3.5 V with anti-theft security

Nasal speculum

ri-scope® F.O. nasal speculum

- > Choice of XL 2.5 V or 3.5 V xenon lamps or 3.5 V LED..
- > High quality fibre-optics light wave conductor for an optimum light beam and transmission of light. In combination with the lamp this provides cool examination light similar to daylight, very pleasant for the patient.
- > Swivel and removable lens with 2.5-fold magnification.
- > Slow and controlled expansion of the speculum by turning on the screw adjuster, fast expansion by pressing down on the screw adjuster.
- > Bayonet fitting for fast and secure attachment to the handle.
- > Impact resistant casing made of glass-fibre reinforced plastic.
- > Simple exchange of the lamp at the base of the instrument head.



No. 10536	XL 2.5 V	No. 10537	XL 3.5 V
No. 10535	LED 3.5 V		
No. 10537-301	XL 3.5 V with anti-theft security	No. 10575-301	LED 3.5 V with anti-theft security



Swivel magnifying lens

- > 2.5-fold magnification.
- > With pin connector.

No. 11564	Swivel magnifying lens
------------------	------------------------

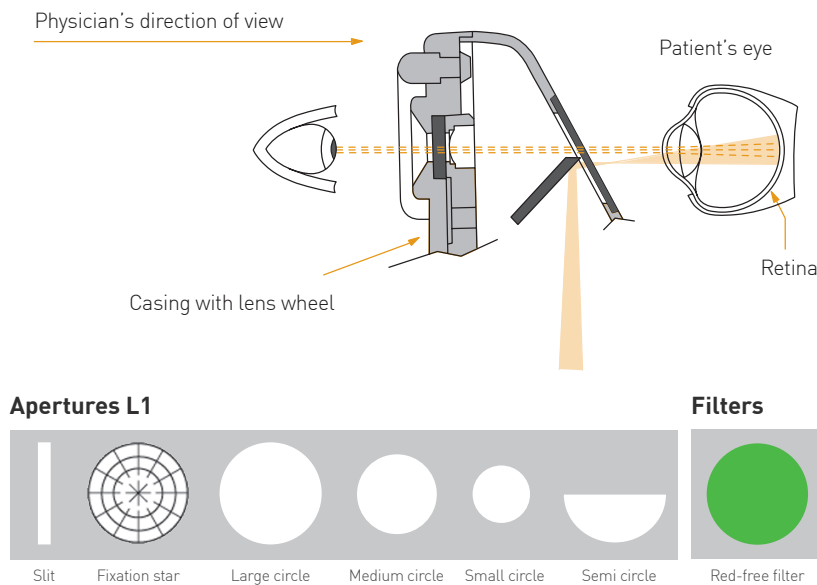
Ophthalmological instruments

Ophthalmoscopes

ri-scope® L Ophthalmoscopes

Optical path

Corneal and iris reflexes are avoided by separation of the parallel observation and illumination beams (Gull strand's principle). The illuminated retinal area is fully visible – even with narrow pupils. Optimum conditions are achieved for ophthalmological examinations



ri-scope® L1

The inexpensive basic model with all the important basic functions.

- > Dioptre wheel with 29 corrective lenses Plus 1-10, 12, 15, 20, 40, Minus 1-10, 15, 20, 25, 30, 35
- > Easy-to-operate aperture hand-wheel with semi-circle, Small/medium/large circle fixation star, slit and red-free filter with contrast-enhancing effect.
- > Includes filter wheel engageable for all apertures with symbol display, red-free filter.
- > Optimized high-performance optics with aspherical condenser lens.
- > Parallel beam path.
- > Dust-proof.
- > Large selection of power sources: handy and stable handles, practical chargers and well-conceived diagnostic stations.

No. 10568	XL 2.5 V	No. 10569	XL 3.5 V
No. 10569-203	LED 3.5 V		
No. 10569-301	XL 3.5 V with anti-theft security	No. 10594-301	LED 3.5 V with anti-theft security

Lamps

Riester XL xenon, HL halogen lamps and LED lamps bring more light into the diagnosis. They always ensure optimal illumination of the area under examination. The latest technology provides illumination that is similar to daylight

XL / HL 2.5 V lamps

XL 2.5 V xenon lamp

- > For **ri-scope**® L2/L3 otoscope, Light conductor, nasal speculum and tongue blade holder
- > Pack contains 6 units

No.10600



HL 2.5 V halogen lamp

- > For **ri-scope**® operation otoscope
- > Pack contains 6 units

No.10602



XL 2.5 V xenon lamp

- > For **ri-scope**® L1/L2/L3 ophthalmoscope and **ri-derma**.
- > Pack contains 6 units

No.10605



XL 3.5 V lamps

XL 3.5 V xenon lamp

- > For **ri-scope**® L1/L2/L3 ophthalmoscope and **ri-derma**.
- > Pack contains 6 units

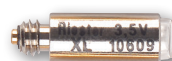
No.10608



XL 3.5 V xenon lamp

- > For **ri-scope**® operation otoscope
- > Pack contains 6 units

No.10609



LED 3.5 V lamps

LED 3.5 V xenon lamp

- > For **ri-scope**® L2/L3 otoscope, **ri-derma**, Light conductor, nasal speculum and tongue blade holder.

No.10625

POWER SOURCES

The Riester **ri-scope**[®] line includes a large selection of high-quality and long-lasting power sources. The 230-V or 120-V instruments shown here are standard versions. If you require other voltages or specialized plugs for your country, we request that you make this information available to us when inquiring or ordering.

Handles

Handy Riester-handles with continuously adjustable **rheotronic**[®] for regulating light intensity are the basis for a safe examination. The well-conceived ergonomically plug and battery handles guarantee comfortable handling.

- > Solid metal handles, black chrome-plated.
- > Practical bayonet fitting for quickly switching instrument heads.
- > Batteries are easy to replace at the base of the handle.
- > For 3.5 V and 2.5 V **ri-scope**[®] and **ri-derma** instrument heads.

Battery handles Type C

for alkaline battery,
for Li-ion battery

No.10670

- > Handle diameter: 28 mm.
- > Easy to charge with new plug-in charger or **ri-charger**[®]L
- > With **rheotronic**[®]
- > Without batteries

No. 10686	Alkaline battery Type C (2 pieces)	2.5 V
No. 10691	Li-ion battery ri-accu [®] L	2.5 V
No. 10694	Li-ion battery ri-accu [®] L for plug-in charger	3.5 V



Battery handles Type AA

for alkaline battery,
for Li-ion battery

No.10642

- > Handle diameter: 19 mm
- > Easy to charge in the **ri-charger**[®]L base
- > With **rheotronic**[®]
- > Without batteries

No. 10685	Alkaline battery Type C (4 pieces)	2.5 V
No. 10690	Li-ion battery ri-accu [®] L	3.5 V



CHARGING BASES

ri-charger®L is the perfect charging base for all rechargeable handles, Type C/AA

- > Table or wall model
- > Practical storage container for two replacement lamps and ear specula.
- > Charging status displayed on the device: Yellow: charging in progress.
Green: charging completed.



ri-charger®L

- > complete, with wall holder
- > for all rechargeable handles with Li-Ion batteries 3.5 V (10690+10691)

No. 10705	ri-charger®L	230 V
No. 10706	ri-charger®L	120 V

Plug-in charger

- > Plug-in charger for 3.5 V Li-ion rechargeable batteries .
- > Wide-range plug-in charger (120 V – 240 V).
- > Large selection of different power plugs on request.
- > Also available with 3.5 V **ri-accu® L** rechargeable Li-ion battery included.
- > Latest charging technology (less than 3 hours charging time).
- > Up to 9 hrs operating time (LED) when fully charged.

No. 10707	Plug-in charger FOR Li-Ion rech. battery 3.5 V ri-accu® L (10694) for battery handle type C, with EU-plug
No. 10708	Plug-in charger WITH Li-Ion rech. battery 3.5 V ri-accu® L (10694) for battery handle type C, with EU-plug



SETS

Reliable sets for veterinary use. The basic sets delivered without batteries, **ri-accu**[®]L and **ri-charger**[®]L. These accessories must be ordered separately. Due to the variety of possible instrument combinations, we show only a portion of all the instrument options in set form. We are happy to provide information on individualized product combinations upon request.

- > Both 2.5V and 3.5V instruments are equipped with either XL xenon lamps or HL halogen lamps.
- > All sets are supplied in a deluxe hard case with safety catches.
- > Easy replacement of instrument heads thanks to bayonet fitting

vet de luxe I Set

Veterinary-specific features combined with advanced optics and lighting

vet I deluxe sets with operation otoscope, ophthalmoscope, tongue depressor and nasal speculum with accessories and spare lamps in impact-resistant case



- > **ri-scope**[®]L1 Ophthalmoscope
- > **ri-scope**[®]L tongue depressor
- > **ri-scope**[®]L nasal speculum
- > **ri-scope**[®] Operation otoscope (veterinary)
- > Ear specula
 1. Metal specula, unslotted, sterilisable:
 - diameter 4 mm, 83 mm long
 - diameter 5 mm, 62 mm long
 - diameter 6 mm, 82 mm long
 2. Metal specula, slotted, sterilisable:
 - diameter 7.5 mm, 68 mm long
 - diameter 9.4 mm, 92 mm long
- > 3 spare lamps (for VET Otoscope, Ophthalmoscope and one for tongue and/or nasal),
- > Swivel lens with 2.5x magnification

Battery handles Type C with rheotronic[®]

No.3866 XL 2.5 V (for ophthalmoscope, tongue and nasal)/HL 2.5 V (Vet operations Otoscope), C-handle for 2 alkaline-batteries, C-type or **ri-accu**[®]

No.3867 XL 3.5 V, C-handle for **ri-accu**[®]L

Battery handles Type AA with rheotronic[®]

No.3869 XL 2.5 V (for ophthalmoscope, tongue and nasal)/HL 2.5 V (Vet operations Otoscope), AA-handle for 2 alkaline-batteries, AA type or **ri-accu**[®]

No.3870 XL 3.5 V, AA-handle for **ri-accu**[®]L

vet I Otoscope Set

Open design for unhindered use during examination and operation

ri-scope® operation otoscope sets with ear specula and spare lamps in an impact-resistant case.



- > ri-scope® operation otoscope (veterinary)
- > Ear specula
 1. Metal specula, unslotted, sterilisable:
 - diameter 4 mm, 83 mm long
 - diameter 5 mm, 62 mm long
 - diameter 6 mm, 82 mm long
 2. Metal specula, slotted, sterilisable:
 - diameter 7.5 mm, 68 mm long
 - diameter 9.4 mm, 92 mm long
- > 1 spare lamp
- > Swivel lens with 2.5x magnification

Battery handles Type C with rheotronic®

No.3850 HL 2.5 V, C-handle for 2 alkaline-batteries, C-type or ri-accu®

No.3851 XL 3.5 V, C-handle for ri-accu®L

Battery handles Type AA with rheotronic®

No.3853 HL 2.5 V, AA-handle for 2 alkaline-batteries, AA-type or ri-accu®

No.3854 XL 3.5 V, AA-handle for ri-accu®L

vet I Oto-/Ophthalmoscope Set

Veterinary-specific features combined with advanced optics and lighting

ri-scope® operation otoscope/ophthalmoscope sets with accessories and spare lamps in an impact-resistant case.



- > ri-scope® Operation otoscope (veterinary)
- > ri-scope®L1 Ophthalmoscope
- > Ear specula
 1. Metal specula, unslotted, sterilisable:
 - diameter 4 mm, 83 mm long
 - diameter 5 mm, 62 mm long
 - diameter 6 mm, 82 mm long
 2. Metal specula, slotted, sterilisable:
 - diameter 7.5 mm, 68 mm long
 - diameter 9.4 mm, 92 mm long
- > 2 spare lamps
- > Swivel lens with 2.5x magnification

Battery handles Type C with rheotronic®

No.3858 HL 2.5 V/XL 2.5 V, C-handle for 2 alkaline-batteries, C-type or ri-accu®

No.3859 XL 3.5 V, C-handle for ri-accu®L

Battery handles Type AA with rheotronic®

No.3861 HL 2.5 V, AA-handle for 2 alkaline-batteries, AA-type or ri-accu®

No.3862 XL 3.5 V, AA-handle for ri-accu®L

Please visit riester.de for more information